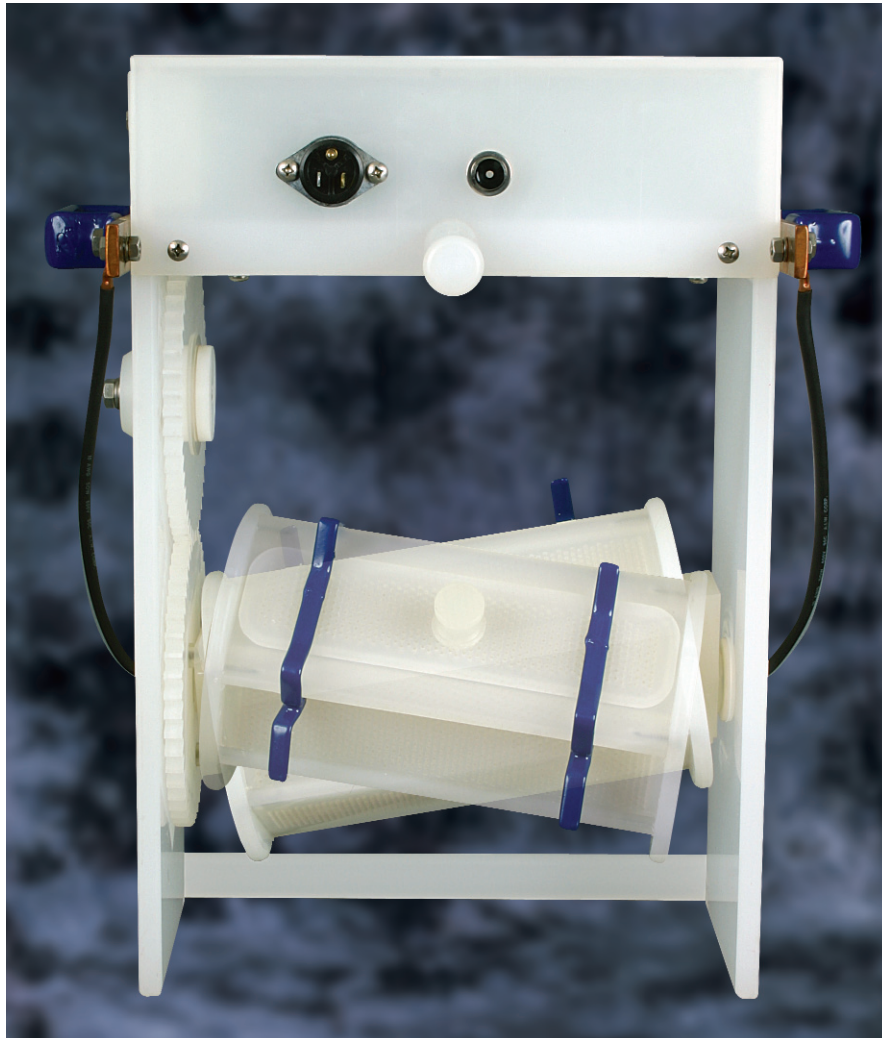


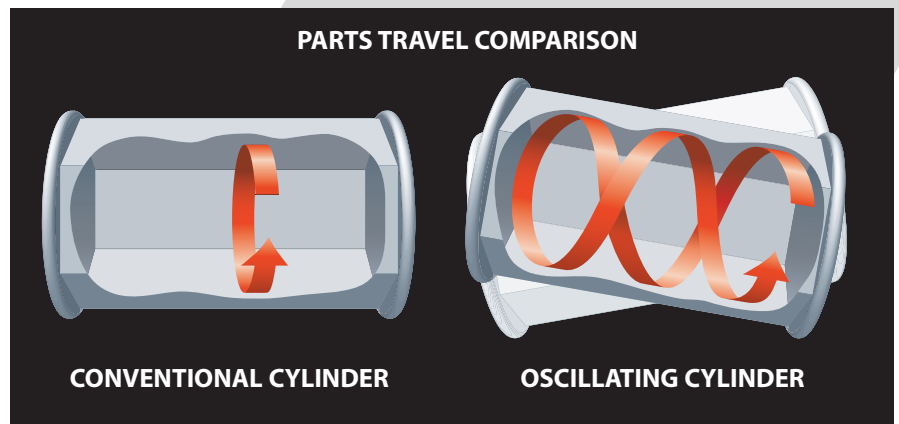
Oscillating Plating Barrel



Designed specifically for plating parts that require extremely close tolerances, the Hardwood Line Oscillating Plating Barrel (OPB) delivers faster, more consistent plating.

The principle behind the OPB design is simple. The center axis of the cylinder is offset within the barrel superstructure. The resulting "off center" oscillating motion of the cylinder causes a better distribution of parts within the cylinder. As a result, the parts achieve more uniform contact with the dangles. This yields less weight variance within the load while reducing the overall plating time.

In a conventional cylinder the load travels along a fixed path around the inside of the cylinder wall. In an Oscillating barrel the load travels in a path that resembles an expanded figure 8. This improves the load distribution and exposes all sides of all parts to a more uniform amount of current and plating deposit.

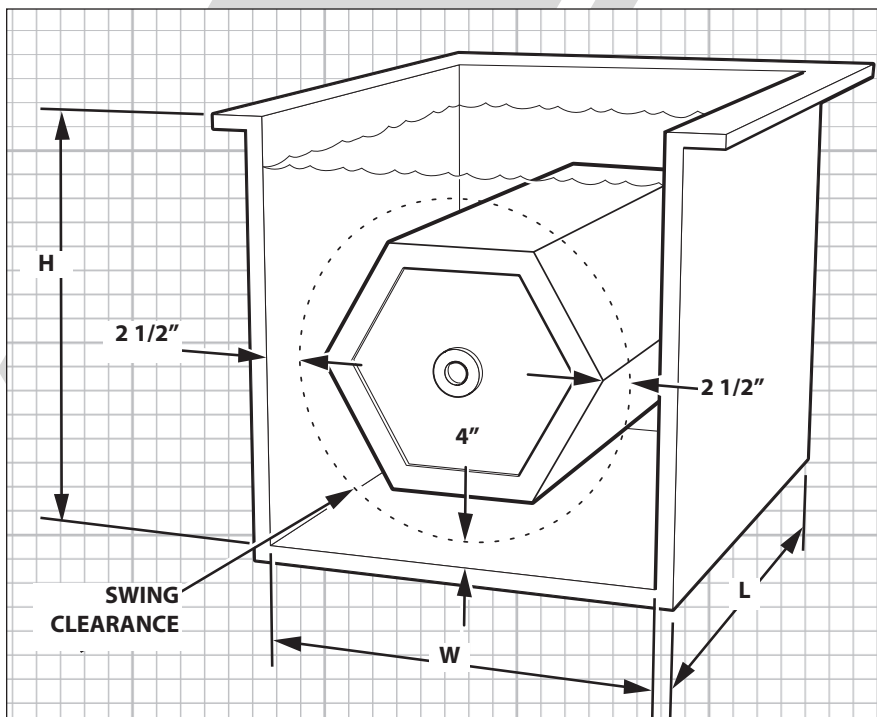




The Oscillating Barrel is available as both a production and portable model in a wide variety of sizes.



Sizing an Oscillating Barrel to Fit Your System



To configure an Oscillating barrel for your current system, please provide the following dimensions of the tightest tank in your line. We will recommend an Oscillating barrel size to fit those dimensions.

TANK WIDTH (W)	_____
TANK HEIGHT (H)	_____
TANK LENGTH (L)	_____
SWING CLEARANCE	_____

The size of the cylinder and its angle of "offset" is dependent on the current swing clearance of your tanks. In order to fit a "tilted" cylinder with your current swing clearance, the cylinder size must be slightly reduced. This small loss in volume is more than compensated for by the resulting speed and quality of each run.

Let us do the math. Please call with the swing clearance of your tanks and we'll calculate which size barrel and what degree of tilt would be suitable for your line.

Please call for more information:
800-443-0093

 **Hardwood Line**
MANUFACTURING COMPANY

4045 N. Elston Ave., Chicago, Illinois 60618
Phone: 773-463-2600 Fax: 773-463-9222
Email: sales@hardwoodline.com
Web Site: www.hardwoodline.com